





6%

0.125 0.044

120

325 /

1 2

1

		4R3216B	5R4119A	6R4528
		320	406	450
		160	189	280
		4	5	6
		970	1270	1600
	/	130	103	82
		20	20	30
	/	19000	43000	58000
		2697	2697	6860
		0.125 0.044	0.125 0.044	0.125 0.044
	/	1 3	2 6	6 25
		8200	10500	17800
		5800	6500	9700
		10580	13530	10500
		15.7	25.6	42.8

2

			4R3216B	5R4119A	6R4528
		/	Y225S—4 37 1480	Y280S—4 75 1480	Y315M—4 132 1485
		/	JZT <sub>2</sub> 42—4 5.5 1250~125	JZT <sub>2</sub> 51—4 7.5 1250~125	JZT <sub>2</sub> 61—4 15 1250~125
		/	Y100L <sub>2</sub> —4 3 1420	Y100L <sub>2</sub> —4 3 1420	Y132M—4 7.5 1450
		/	Y200L—4 30 1470	Y250M—4 75 1480	Y315M—4 132 1485
		/	Y180L—6 15 970	Y180L—6 15 970	Y200L <sub>2</sub> —6 22 970
			250×400	250×400	250×750
			GZ1F 60	GZ2F 150	GZ3F 250



1

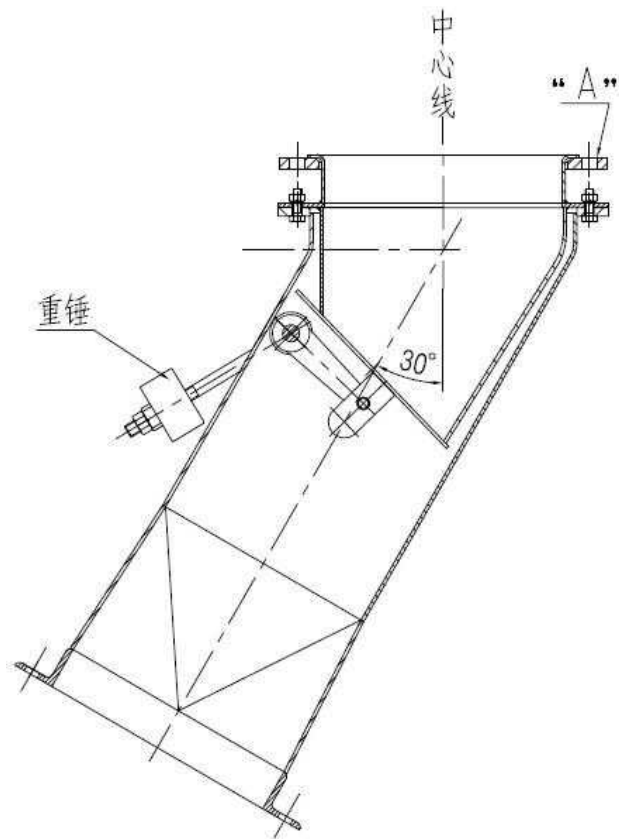


图1 锁气器

" A "

1

2

3

99%

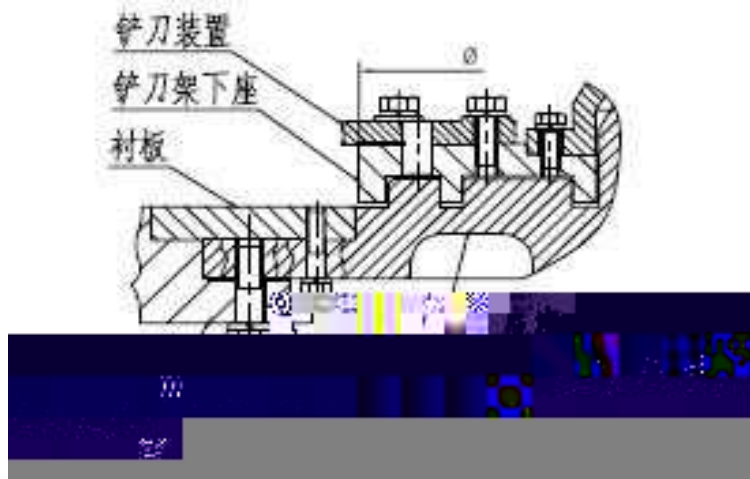
4

5

6

7

2







4

30KW

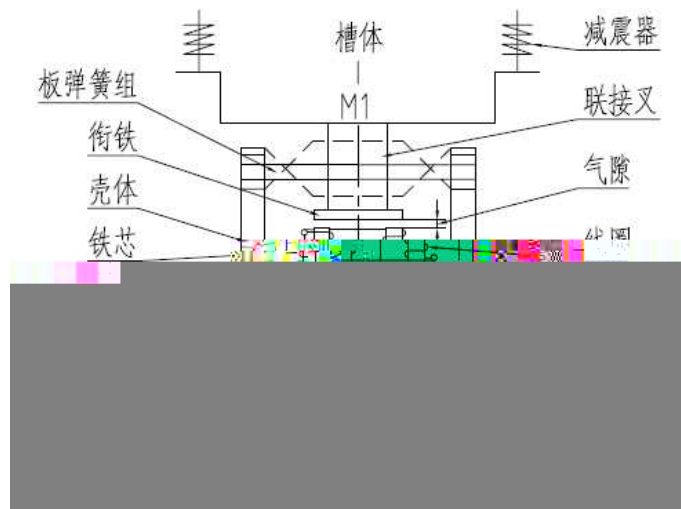
30KW

4R 5R 6R

4R 5R 6R

10

1



3

2

3

4

1.8 2.1

5

R1

1.75 ± 7%

0.6 2.5A

1

6

0.5

20°

R2 R3

R2 R2

R2

R3

R3

R2

R2

R3

DL-13/6

1.5

3

3 6

3

a

b

DL

c

d

R1

e

JZT2

(ZLK-1 )

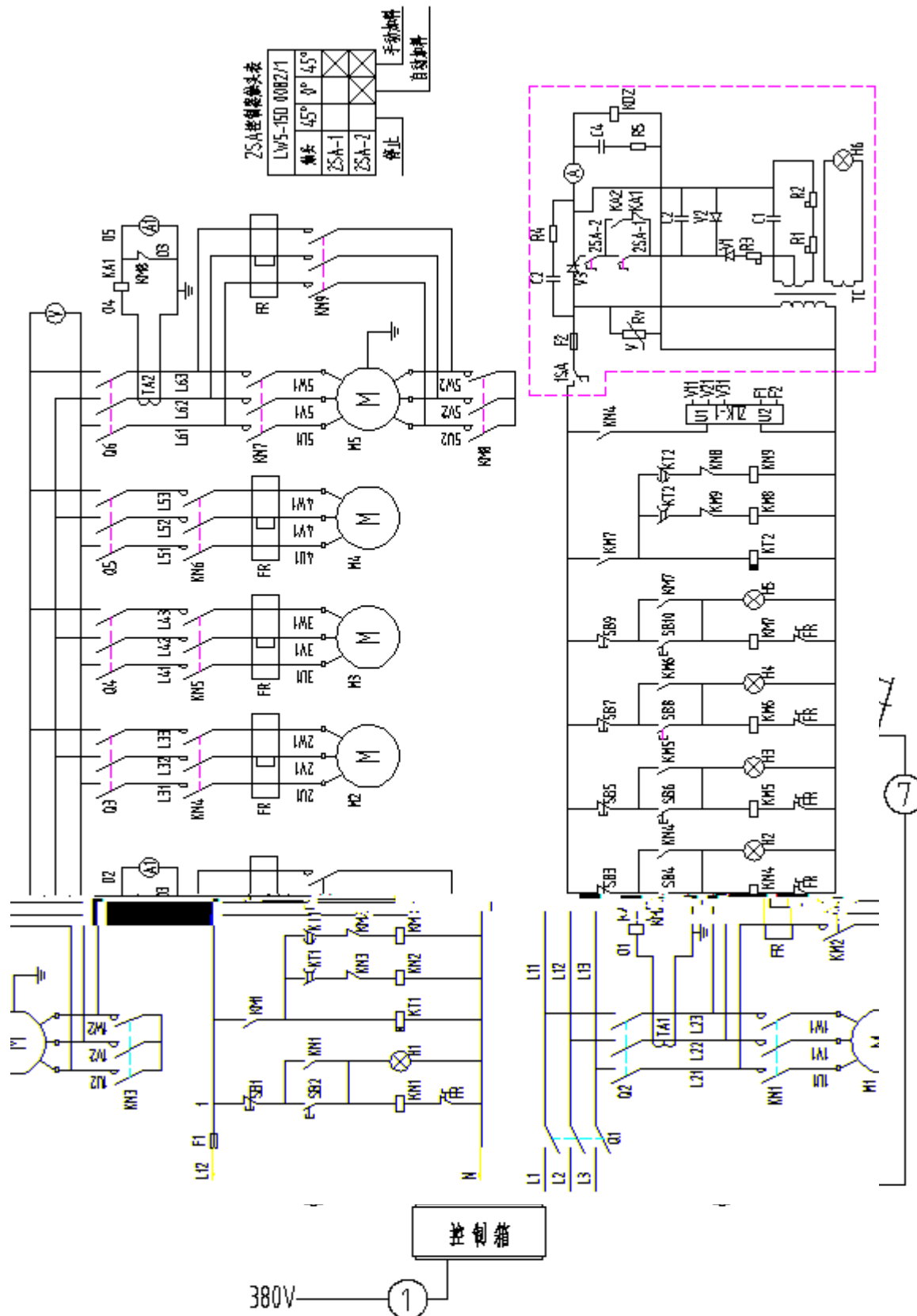
"

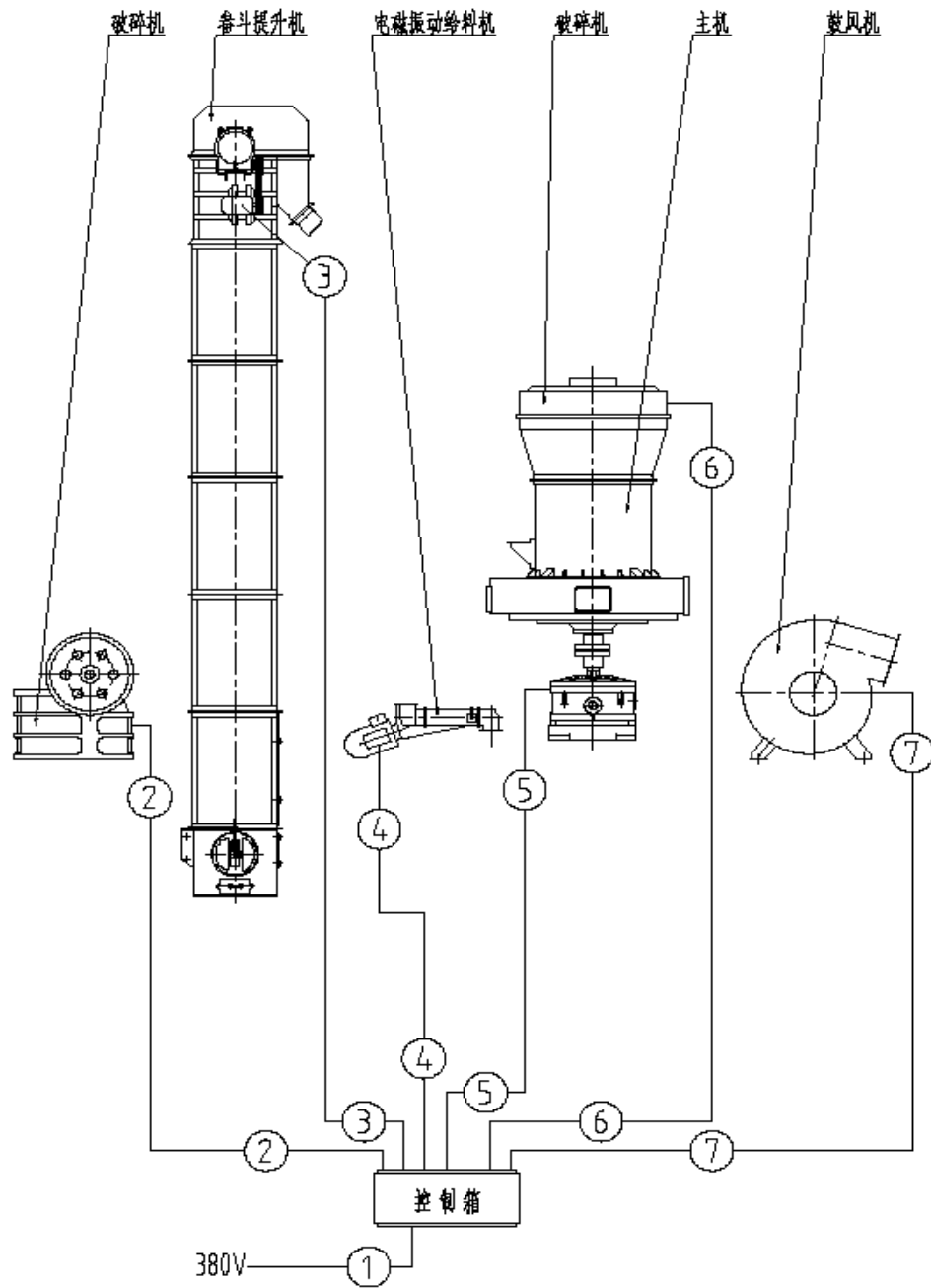
"

4

--	--	--	--

9





5

1

2 220V

7	6R	5U <sub>1</sub> 5V <sub>1</sub> 5W <sub>1</sub> 5U <sub>2</sub> 5V <sub>2</sub> 5W <sub>2</sub> 5U <sub>3</sub> 5V <sub>3</sub> 5W <sub>3</sub>	70	6	
	5R	5U <sub>1</sub> 5V <sub>1</sub> 5W <sub>1</sub> 5U <sub>2</sub> 5V <sub>2</sub> 5W <sub>2</sub> 5U <sub>3</sub> 5V <sub>3</sub> 5W <sub>3</sub>	25		
	4R	5U <sub>1</sub> 5V <sub>1</sub> 5W <sub>1</sub> 5U <sub>2</sub> 5V <sub>2</sub> 5W <sub>2</sub>	10		
6	6R	2U <sub>1</sub> 2V <sub>1</sub> 2W <sub>1</sub> F <sub>1</sub> F <sub>2</sub> V <sub>11</sub> V <sub>21</sub> V <sub>31</sub>	6+2.5	3+5	
	5R		4+2.5		
	4R		2.5	8	
5	6R	1U <sub>1</sub> 1V <sub>1</sub> 1W <sub>1</sub> 1U <sub>2</sub> 1V <sub>2</sub> 1W <sub>2</sub> 1U <sub>3</sub> 1V <sub>3</sub> 1W <sub>3</sub>	70	6	



1

2

3

4

5

4R                      2 3

5R                      5

6R                      10

6

7

1

" A" (5R

6R

)

2

" A"

3

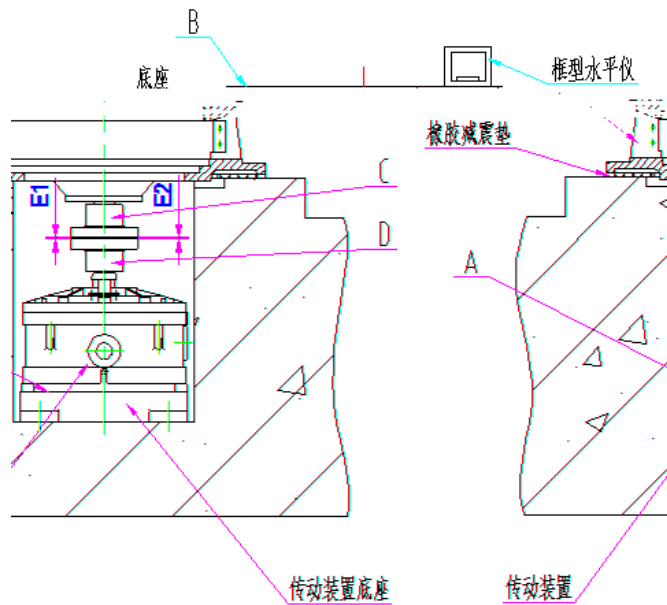
" B"

4

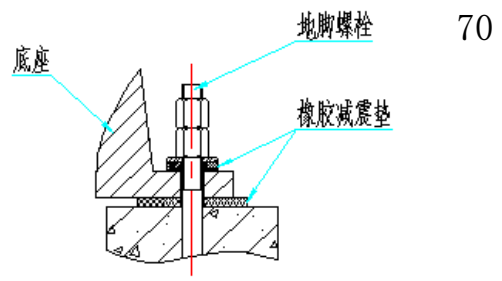
" B"

7

5	" C " " D "	0.30
6	" E1~E2 "	5 8
7	E1 E2	0.1
8	;	
A	NS7=3 NS10=4	
B		0.30
	NS7=0.1 NS10=0.15	
9		
10		



1	8		
2		1	
3			
4			80
6			
	40		
5			
6			
	35		
1			
2	8		
3			
4		80	40
7			
5			
6			



7

0.044 0.125

8

1

2

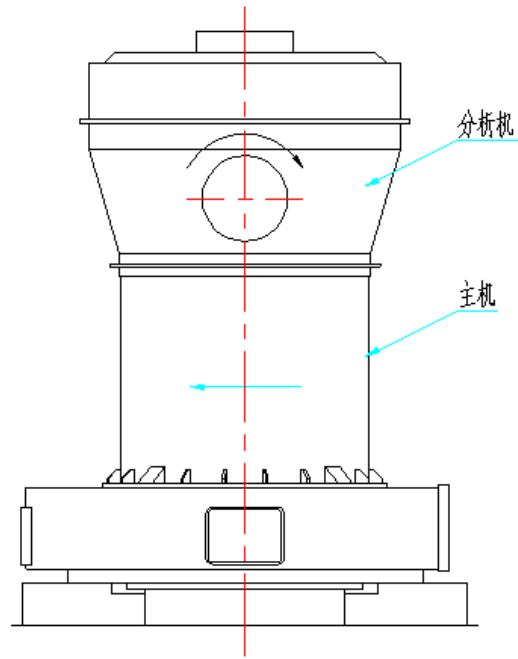
3

4

5

6

7



8

8

9

10

11

1

2

"

"

3

4

5

6

1

2

3

3

15%

4

5

500

	5	5
1	1 2 3 4 5 6	1 2 3 4 5 6
2	1	1 2
3	1 2	1 2 6%



5

4	1 2  3 4 5  6 7  8	1 2  3 4 5  6 7  8
5	1 2 3	1 2 3
6	1   2	1   2
7	1 2	1 2
8		

1

4R3216

87

1	GB301-84	8328 140×240×80	1	
2	GB286-64	3522 110×200×53	1	
3	GB283-87	2228 140×250×42	1	
4	GB297-84	7622 110×240×84	2	
5	GB297-84	7618 90×190×67	2	
6	GB286-64	3616 80×170×50	4	
7	GB297-84	7612 60×130×48	4	
8	GB281-87	111311 50×120×29	1	

2

5R4119

1	GB301-64	8332 160×270×87	1	
2	GB286-64	3526 130×230×64	1	
3	GB283-64	2234 170×310		

3

## 6R4528

1	GB301-64	51338 190×320×105	1	
2	GB288-64	22234 170×230×86	1	
3	GB288-64	23048 240×360×92	1	
4	GB297-64	30320 100× 215× 47	2	
5	GB297-64	30315 75× 160× 37	2	
6	GB297-64	30317 85× 180× 41	2	
7	GB297-64	32944 220× 300× 51	2	
8	GB286-64	22326 130×280×93	6	
9	GB297-64	32319 95×200×71.5	6	
10	GB282-64	21311CK 50×120×29	1	
11	GB297-64	30315 75×160×37	1	
12	GB297-64	30312 60×130×31	1	
13	GB276-64	6310 50×110×27	1	
14	GB281-64	3620 100×215×73	2	

4

## 4R3216

1	K4804. 1. 2A-3		12	6	40× 104
2	K4804. 1-5A		2	HT120	
3	K4804. 1. 4-1		8	ZG270-500	
4	K4803. 1. 4. 1		8		
5	K4804. 1. 6C		4		
6	K4804. 1. 6-3A		28	ZGMn13	
7	HG4-692-67		8		105× 130× 14
8	K4804. 1. 6B-4		16		
9	K4804. 1. 6-5B		8	20	
10	K4804. 1. 6-6		4	45	
11	K4804. 1. 6-8		4	45	
12	K4804. 1. 6-10B		24		
13	K4804. 1. 6-16		4	45	
14	K4804. 1. 6-17B		4	Q235	
15	K4804. 1. 6-20		4	ZG230-450	
16	K4804. 1. 6-23B		4	Q235	
17	K4804. 1-7		1	QT500-7	
18	K4804. 1-17B		2	ZGMn13	
19	K4804. 4. 5A		52		
20	HG4-692-67		1		100× 140× 14
21	HG4-692-67		2		150× 180× 15
22	HG4-692-67		1		40× 62× 12

4 6

1

5

## 5R4119

1	K4805. 1-6		2	HT120	
2	GB5014. 7-4		12	6	30× 105
3	GB5014. 10-4		12	6	60× 140
4	K4805. 1. 3. 1B		10		
5	K4805. 1. 3-2A		10	ZG270-500	
6	K4805. 1. 6B		5		
7	K4805. 1. 6-3B		35	ZGMn13	
8	K4805. 1. 6A-4		20		
9	K4805. 1. 6B-5		5	QT500-2	
10	K4805. 1. 6B-7		5	45	
11	K4805. 1. 6A-13		5	Q235	
12	HG4-692-67		10		160× 190× 16
13	K4805. 1. 6B-16		5	45	
14	K4805. 1. 6-18		10		
15	K4805. 1. 6B-19		5	Q235	
16	K4805. 1. 6-20		10	20	
17	K4805. 1. 6-23		5	Q235	
18	K4805. 1-7		1	QT500-7	
19	K4805. 1-17B		2	ZGMn13	
20	K4804. 4. 5A		60		4R
21	HG4-692-67		1		130× 160× 15
22	HG4-692-67		1		85× 110× 12
23	HG4-692-67		1		40× 62× 12

6

## 6R4528

1	K4806. 1-6		2	HT120	
2	GB5014. 7-4		12	6	35× 90
3	GB5014. 10-4		12	6	56× 120
4	K4806. 1. 3. 1		12		
5	K4806. 1. 3-2		12	ZG270-500	
6	K4806. 1. 6		6		
7	K4806. 1. 6-3		42	ZGMn13	
8	K4806. 1. 6-4		24		
9	K4806. 1. 6-5		6	QT500-2	
10	K4806. 1. 6-7		6	45	
11	K4806. 1. 6-13		6	Q235	
12	HG4-692-67		12		140× 170× 15
13	K4806. 1. 6-16		6	45	
14	K4806. 1. 6-18		12		
15	K4806. 1. 6-19		6	Q235	
16	K4806. 1. 6-20		12	20	
17	K4806. 1. 6-23		6	Q235	
20	K4806. 1-7		1	QT500-7	
18	K4806. 1-17		2	ZGMn13	
19			60		
21	HG4-692-67		2		240× 270× 15
22	HG4-692-67		1		65× 90× 10

1		400		1
2	500		600 1000	
3				
4				



