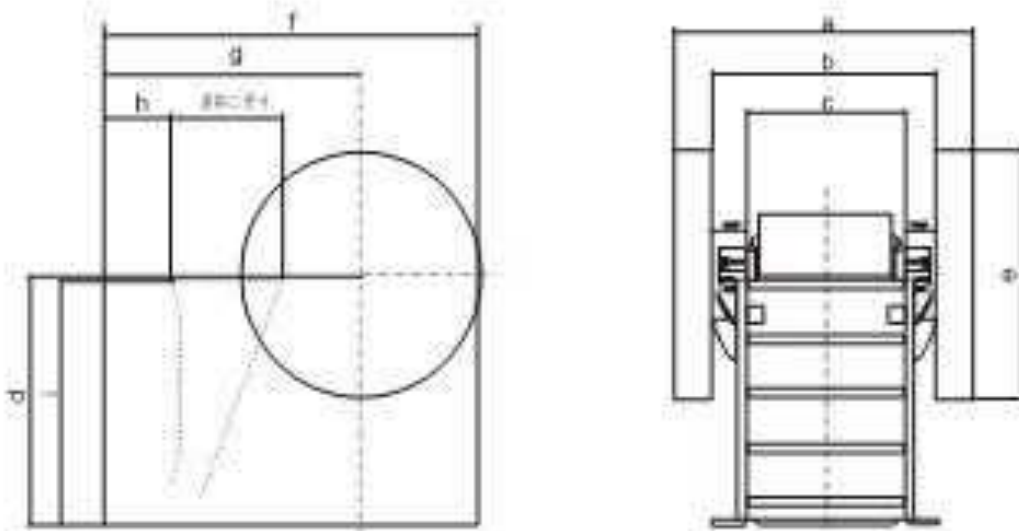
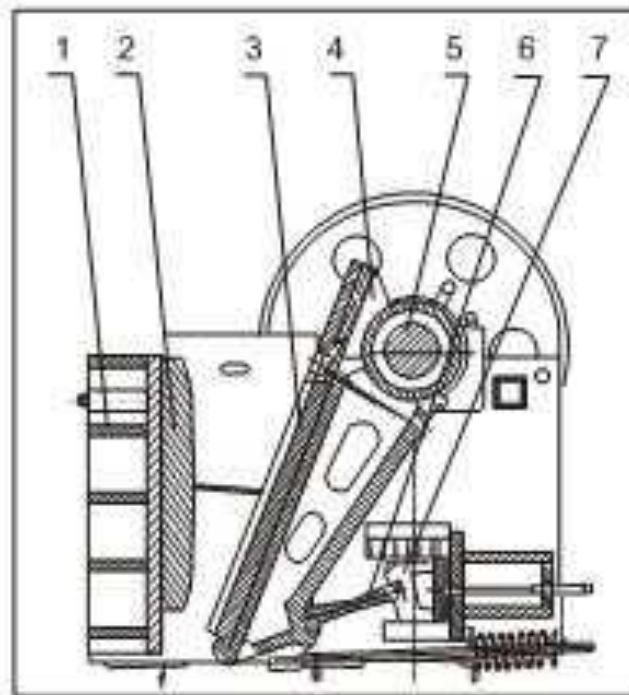




外形尺寸



结构图



- | | | | | | | |
|---|---|---|---|----|----|--|
| | 1 | 2 | 3 | 4 | 5 | |
| 6 | 7 | 8 | 9 | 10 | 11 | |

;

4

a

15

0.15mm

80-100

0.05mm

50%-70%

b

(

);

50%-70%

0.2-0.4mm

c

1mm

50%-70%

d

190N.M

),(
)



10

2

- a. 2 30
- b.
- c.
- d.
- e.

- a.
 - b.
- 8 30

30

70

70

50%-70%

3-6



--

	<ol style="list-style-type: none"> 1. 2. 	<ol style="list-style-type: none"> 1. , 2.
	<ol style="list-style-type: none"> 1. 2. 3. 4. 	<ol style="list-style-type: none"> 1. 2. 3.
	<ol style="list-style-type: none"> 1. 2. 	
		,
	<ol style="list-style-type: none"> 1. 2. 3. 4. 	<ol style="list-style-type: none"> 1. 2. 3. 4.
	<ol style="list-style-type: none"> 1. 2. 3. 	<ol style="list-style-type: none"> 1. 2. 3.

